

B-LFP24-168AWP

MOBILE ELEVATED WORK PLATFORM

SAFELY RELIABLE, DURABLE BATTERIES FROM THE NAME YOU TRUST



Overview

BSLBATT scissor lift lithium batteries are designed and manufactured in China, compatible with hybrid fleets from brands such as JLG, Genie, Power-Lift, HSS, Hewden, Skyjack, Holland, Niftylift, and Snorkel. From superior cell and battery design to intelligent built-in diagnostics, BSLBATT offers a range of advanced safety, environmental, and electronic features that competitors simply don't provide. With an expected lifespan of over 8,000 cycles, BSLBATT batteries deliver an outstanding return on investment.

CELL SELECTION

- Proven safest chemistry
- Longest life in its class
- Highest capacity in its class
- China-based cell development
- BSLBATT-specific cell
- UN38.3; UL1973; IEC 62133 ; UL2580

BATTERY DESIGN

- Easy replacement for lead-acid
- Metal case, Ip65 rating
- Automotive-grade safety protection
- Current sensor, fuse, temp. sensor
- Validated charger compatibility

ELECTRONICS

- Visual SOC gauge
- Microprocessor-based controls
- CAN-communications
- China-based development

Specifications

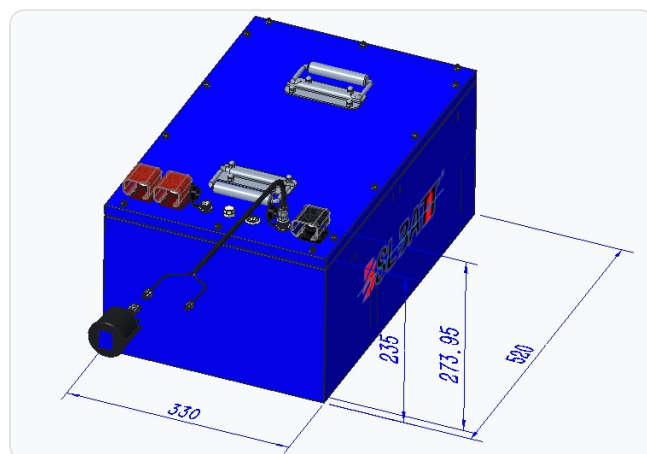
- Model: B-LFP24-168AWP
- Nominal voltage: 25.6V
- Nominal capacity: 168AH

INTELLIGENCE FEATURES

- Microprocessor
- CAN Communications
- SOC Gauge
- Cell Balancing
- Battery Management System

THE BSLBATT ADVANTAGE

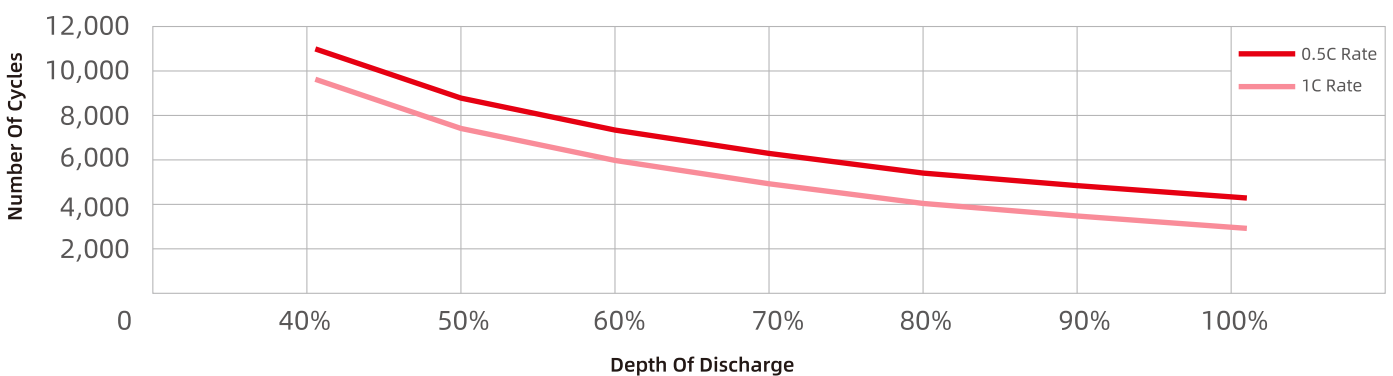
- World's leading manufacturer of advanced Lithium modular battery technology
- Worldwide reputation for best return on investment, durability, performance, and quality components
- Outstanding technical and customer service
- Industry leader in health and safety compliance as well as environmental stewardship



APPLICATIONS

Item	Parameter	
Rated Capacity	168Ah	
Nominal Voltage	25.6V	
Supply Voltage	20V~20.9V Single battery:2.5V ~ 3.65V	
System Capacity	4,301 Wh	
Battery Group Solution	8S1P A boxful	
Storage Temperature	0°C~+35°C	
IP Protection Level	Battery system IP65	
Operating Temperature	Charge	0°C~+55°C
	Discharge	-20°C~+60°C
Standard Charging Current is Recommended	≤50A	
Maximum Continuous Charging Current	84A	
Maximum pulse charging current (1S)	126A	
Continuous Discharge Current	168A	
Maximum Discharge Current (10S)	300A	
Cycle Life	≥4000@ 80%DOD	
Battery System Weight	55 kg	
Dimension Inches (mm)	20.47*12.99*10.83(520*330*275)	

TO 70% INITIAL CAPACITY



ABOUT BSLBATT

We've been in the battery business for over 20 years and have learned how to build on success. Partner with BSLBATT and we'll work closely with you to build on yours. Not just by supplying batteries, but also with unmatched service, training and on-going support. Our product is batteries, but our business is relationships and helping you succeed.