



BSL Series

B-LFP24-52

to replace lead acid GEL Or AGM



PRODUCT FEATURES

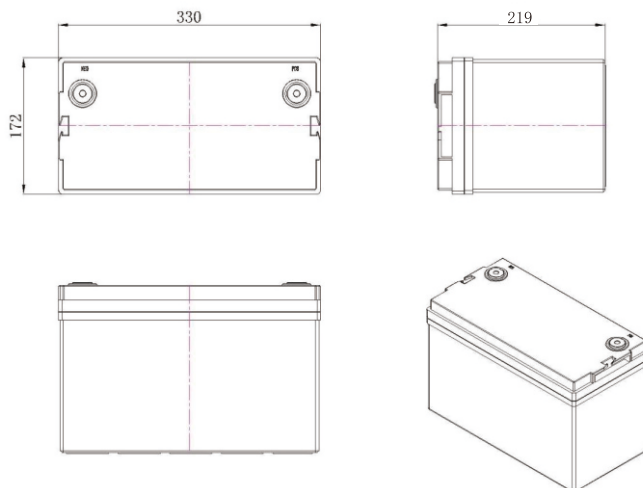
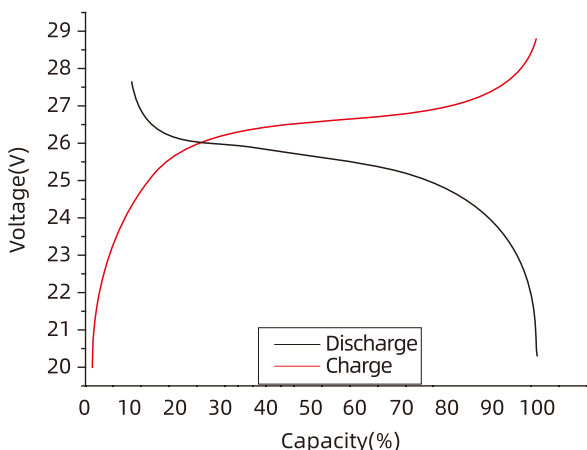
Designed for Power Energy Storage, Marine, RV, UPS, Lawn Mowers, Fish Finders, Access Control Systems, and House Alarm Security applications, BSLBATT's 24V 1331Wh lithium batteries last up to four times longer than lead-acid batteries. They are maintenance-free, lightweight, and easy to operate.

Our B-LFP24-52 model is equipped with the industry's leading LFP battery technology, featuring the safest lithium battery chemistry available today. This makes it an ideal choice for deep-cycle applications.

CHARGE AND DISCHARGE CURVE

DIMENSION

25.6V 52Ah Charge-Discharge Curve 0.5C,25C



Certification: UL, FCC, CE, ROHS, UN38.3, IEC

Battery Model

B-LFP24-52

Nominal Voltage	25.6 V
Typical Capacity	60 ± 1 Ah(At 0.2C discharge rate)
Energy	1331 Wh

Discharge

Working Current	≤30A
Maximum Current	≤40A
Cut-off Voltage	About 20 V

Charge

Voltage	28.8 ± 0.2 V
Working Current	≤15A
Max Charging Current	≤20A
Charge Mode	CC/CV, please use special lithium charger
Charging Cut-off Current	About 1.34A

Operation Temperature

Charge	0°C ~ +55°C
Discharge	-20°C ~ +60°C

Additional Data

Storage Temperature	-20°C ~ +60°C
Discharging Inner Resistance	≤ 30 mΩ
Protection Function	Overcharge, over-discharge, over-current, short circuit and other protection functions
Output Mode	M8 Terminal
Shell Material	ABS+PC
Weight	About 12.5 Kg (Single weight)
Dimension (L*W*H)	330*172*219 (±2) mm
Serial-parallel module	1P8S
Cycle	≥3500, 80%DOD (0.2C, 25°C)

Note: Parameters can be adjusted according to customer requirements



Facebook



Linkedin



Tiktok



Instagram



Youtube



Drop-in Replacement



Tier One, A+ LiFePO4 Cell Composition



5 Years Warranty Guarantee



Smart Hardware & Software Design



Long Service Life



Eco-Friendly