

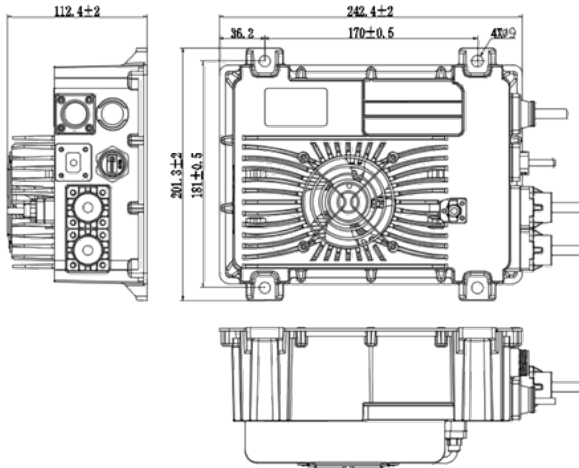
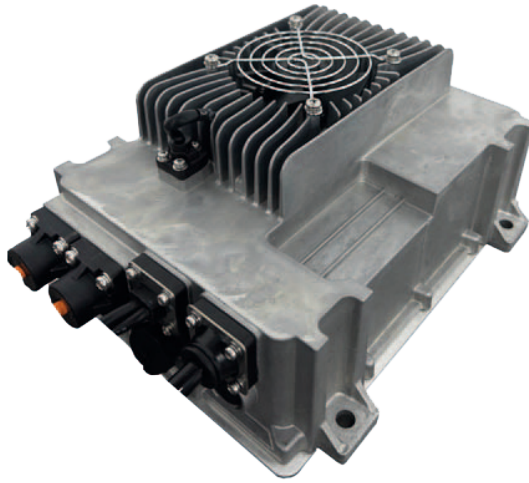
TORO 3 kW



Sector
of application



Certifications



Main features:

- IP67 protection level , long lifespan
- Small size and light weight
- 3KW output power
- Can Bus Communication
- Fans cooling

Dimensions (LxWxH): 242 x 201 x 112mm
9.53 x 7.91 x 4.41 in

Weight: 5 Kg - 11,02 lbs

Protection Grade: IP67

Input Voltage: Universal 100 ÷ 240 Vac – 50-60 Hz

Description:

- Support Wide Input voltage 1 P 85-265V, max input current 15A
- Realize below multiple function by TF card
Charger software update automatically
Fault and Charging records local save
- Multi Protocols local save
Multi Protection Mechanism
Anti-surge, input over/under voltage, output over/under voltage, over-temperature protection, etc
- CE FCC cTUVus Certifications

DC OUTPUT

Model	FST-C-24100-5DF	FST-C-3673-5DF	FST-C-4855-5DF	FST-C-6045-5DF	FST-C-7238-5DF	FST-C-8035-5DF	FST-C-9630-5DF	FST-C-15020-5DF	FST-C-20015-5DF	FST-C-35010-5DF
Rated Voltage	24V	36V	48V	60V	72V	80V	96V	150V	200V	350V
Voltage range	10-32V	15-48V	20-63V	25-80V	29-96V	33-106V	39-126V	59-193V	78-257V	136-450V
Max. charging current	100A	73A	55A	45A	38A	35A	30A	20A	15A	10A
Max. charging power	3kW									
Efficiency	Max 95%									

